



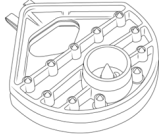
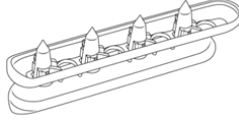
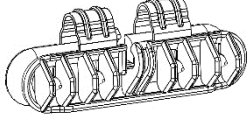
**Diamond Net Connector**  
**Radial Net Connector**  
**Double Grip Net Connector**

**830dm**  
**860rd**  
**875rd**

**Netting  
Solutions**

## Product Specification

### General

<b>Sub-Category</b>	Anti-hail		
<b>Yield Type</b>	N/A		
<b>Color</b>	Black		
<b>Cat. Number</b>	<b>830dm</b>	<b>860rd</b>	<b>875rd</b>
<b>Illustration</b>			
<b>Description</b>	Connects net and screen sheet together. Enables connecting the sheet to the cable	Solution for connecting anti-hail net. Connects the net to the upper cable. Rounded edges prevent damage of the net. Strong and resistant, designed for heavy weights	Solution for connecting the net to the cable at the top of the roof. Fits for connecting two layers of net with rounded edges to prevent damage of the net, and 2 hooks to tie the folded net between seasons

### Material

Polypropylene + anti UV

### Technical Specifications

Parameter	Value		
	830dm	860rd	875rd
<b>Length (mm)</b>	55	110	87
<b>Weight (gr)</b>	10	11	12.15

### Durability

Multi-season

### Storage

- In a cool, dry place
- away from heat
  - away from direct sunlight
  - storage temperature should not exceed 60°C

**Date:** January 2024

**Version:** 02

Page 1 of 2



Diamond Net Connector  
Radial Net Connector  
Double Grip Net Connector

830dm  
860rd  
875rd

Netting  
Solutions

## Packaging

	830dm	860rd	875rd
Units per box (pcs)	800	1,100	1,000
Bags per box	8 x 100	11 x 100	4 x 250
Box weight approx. (kg)	9	13	13.3
Boxes per pallet	36/28	24/20	24/20
Box Size L x W x H (cm)	57 x 49 x 26	56 x 50 x 40	56 x 50 x 40

## Installation temperature

Range (°C)	Above 5 °C
------------	------------